



PRODUCT DATA

Model 600 Barocel®

Absolute Vacuum/Pressure Transducer



The Model 600 Barocel transducer is an advanced design capacitance manometer which uses patented technology to improve zero stability after temperature excursions or pressure overloads. An integral vacuum reference of all-welded construction contains gettering material to ensure long-term stability.

In vacuum systems, the Model 600 is the ideal replacement for McLeod, Pirani, or thermocouple gauges. Since pressure is sensed by electrically measuring pressure-induced displacement of a thin metal membrane, calibration accuracy is unaffected by the chemical composition of input media.

Features & Benefits

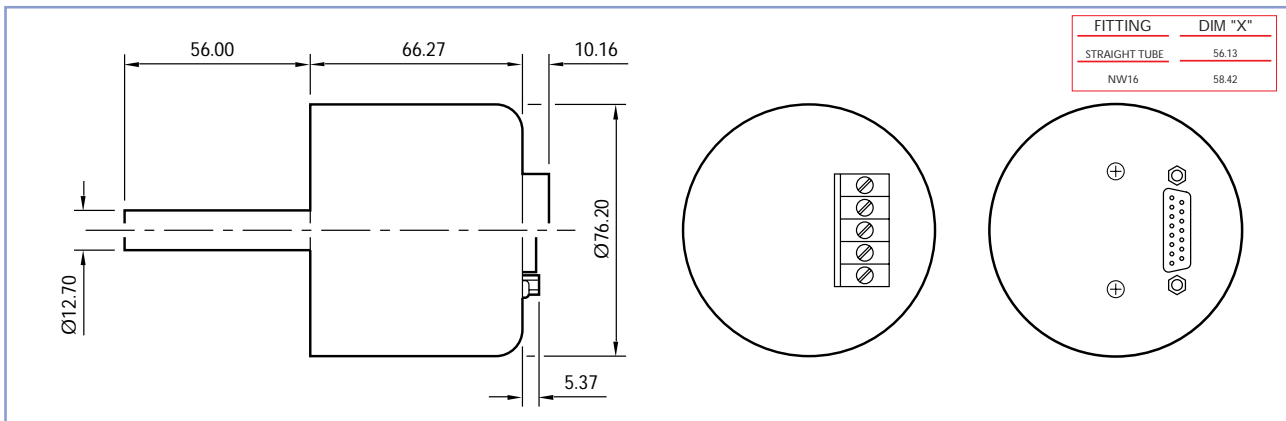
- Wide range
 - 4 decades
- High accuracy
 - 0.15% of reading
- High resolution
 - 0.01% full scale
- Unaffected by overpressure
 - Repeats within 0.01% full scale after being exposed to 2.4 bar (35 psia)
- True total pressure
 - Reading independent of gas composition
- High level output
 - 0-10 volts dc full scale, linear with pressure
- Superior zero stability
 - Patented design eliminates errors due to temperature and overpressure effects
- Stable zero reference
- Alternative for McLeod, Thermocouple and Pirani Gauges
- System versatility
 - Compatible with a variety of readouts and controllers
- Corrosion Resistant
 - Measuring cell constructed of Inconel/Monel for high corrosion resistance

TECHNICAL DATA

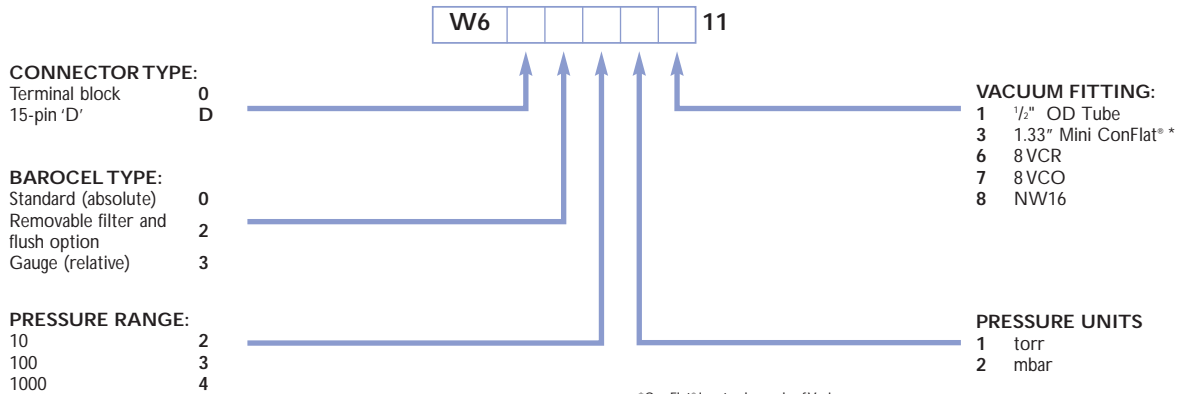
SPECIFICATIONS

- | | | | |
|-------------------------------------|--|--------------------------------------|--|
| • Pressure range | 0-10, 0-100, 0-1000 torr
0-10, 0-100, 0-1000 mbar
Ranges to 10,000 torr also available | • Overpressure effect | Repeats within 0.01% full scale after 2.4 bar (35 psia) exposure |
| • Accuracy | 0.15% of reading standard
0.5% of reading also available | • Material exposed to pressure media | Inconel and Monel |
| • Resolution | Better than 0.01% FS | • Internal volume | 8.3 cm ³ including 1/2" dia. tube |
| • Operating temperature | 0 to 65°C | • Time constant | 8 msec |
| • Temperature effect on zero | Less than 0.005% FS /°C | • Output signal | 0-10 Vdc, linear with pressure |
| • Temperature effect on sensitivity | Less than 0.02% reading /°C | • Power requirements | ±15 Vdc ±5% regulated to ±1% at 30mA |
| • Overpressure without damage | 1.25 times FS range or 2.4 bar (35 psia), whichever is greater | • RFI suppression | Standard on all models |
| | | • Weight | 0.7 kg (1.5lb) |

DIMENSIONS (mm)



ORDERING INFORMATION



PRODUCT DESCRIPTION

Adaptor cable Barocel 600 to AGC (female FCC68) 0.5m

ORDERING INFORMATION

D400-03-010

EUROPE

Crawley, UK +(44) 1293 528844
Guildford, UK +(44) 1483 579857
Cumbemauld, UK +(44) 1236 730575
Brussels, BELGIUM +(32) 2 363 0030
Paris, FRANCE +(33) 1 47 98 24 01
Munich, GERMANY +(49) 89 99 19 18 0
Milan, ITALY +(39) 2 48 4471

ISRAEL

Qiryat Gat +(972) 7 681 0633

USA

Wilmington, MA +(1) 978 658 5410
Toll free (USA only) 1800 848 9800
Santa Clara, CA +(1) 408 496 1177
Tempe, AZ +(1) 480 777 7007
Austin, TX +(1) 512 491 6622

ASIA PACIFIC

Hong Kong +(852) 2796 9111
Shanghai, CHINA +(86) 21 5866 7558
Tianjin, CHINA +(86) 22 2834 1981
Toufen Town, TAIWAN R.O.C. +(886) 37 611 422
Singapore +(65) 546 8408

KOREA

Bundang +(82) 31 716 7070

JAPAN

Tokyo (Vacuum/Abatement) +(81) 3 5470 6530
Tokyo (Electronic Gases) +(81) 3 3434 6789
Osaka +(81) 6 384 7052
Kyushu +(81) 96 326 7300
Sendai +(81) 22 373 8525

<http://www.bocedwards.com>
Publication No: W600-42-895

BOC Edwards is a trading name used by affiliate companies of The BOC Group plc. The stripe symbol is a trademark of The BOC Group plc © BOC Edwards 2000

BOC EDWARDS